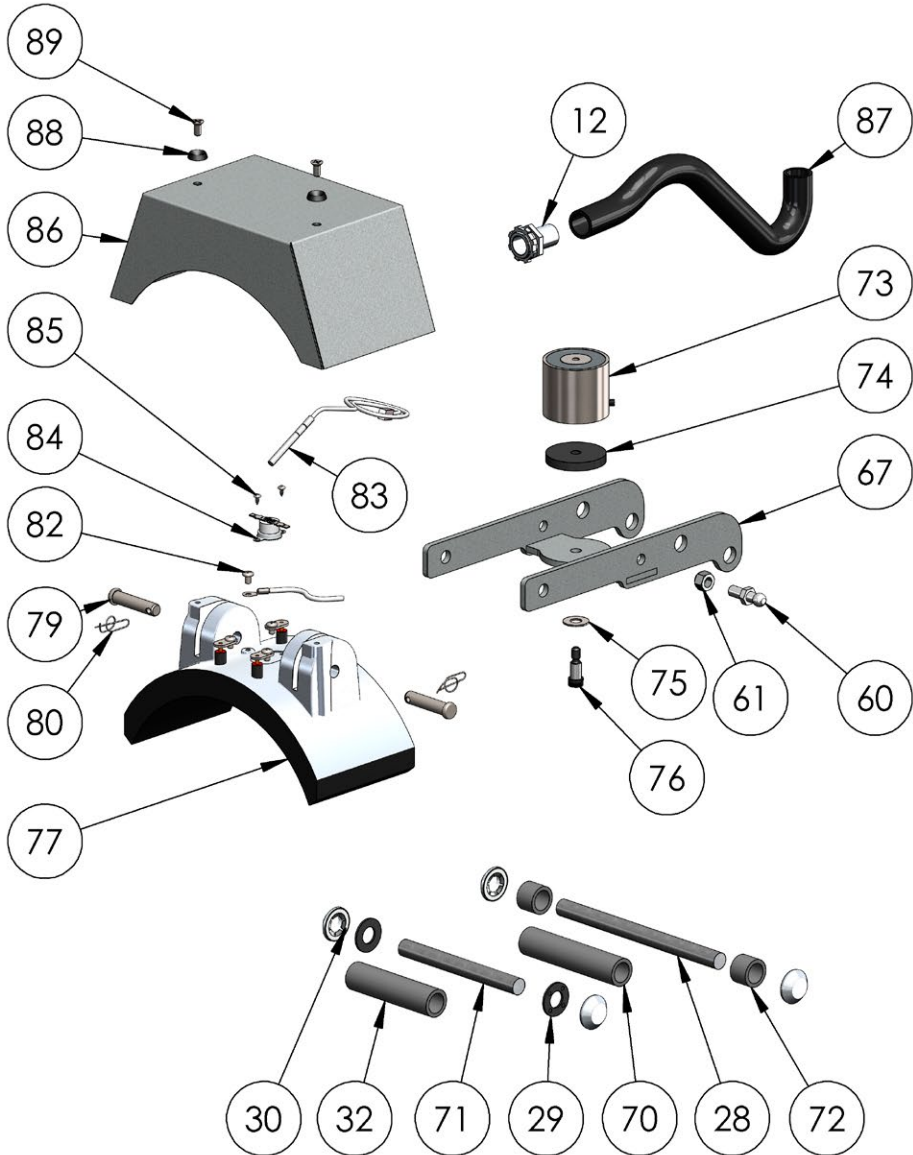


## STX Cap Base

#	PART#	DESCRIPTION	QTY.
21	1-2317	Circuit Breaker 5A (CAP 6x6)	1
24	KIT 3-6910	Handle Assembly, STX 6 & Cap	1
26	1-2085-3	Magnet Bracket, STX6 & Cap	1
27	1-1219	Magnet	1
28	2-1055-26	Steel Pin, 1/2" x 6.45"	2
29	1-1048-3	Washer, 1/2" Nylon	4
30	1-1107-1	Hub Cap 1/2"	8
31	2-1055-9	Steel Pin, 1/2" x 5-7/8"	1
32	1-1049-1	PVC Spacer, 1/2" x 3.30"	2
33	1-1049-14	PVC Spacer, 1/2" x 0.70"	2
34	2-1006-2	JCN - NUT	2
35	1-1042-1	All Thread Pin	1
36	1-1049-11	PVC Spacer, 1/2" x 5"	1
37	1-2115	Blue Foam Grip	1
38	3-1011-232	Shipping Bolt (Thumb Screw), 1/4"-20 x 1/2"	1
39	KIT 3-6909	Lift Link, STX 6x6 & Cap	2
40	1-1023	Adjustment Spindle, STX 6x6	1
41	1-1095	Knob, Black Plastic 3/8"-16	1
42	1-1051	Bronze Washer	1
44	2-1050-C	Cap Platen, Standard 3.5" x 6"	1
45	1-2137	Silicone Pad, Cap 3.5" x 6" Blue	1
46	2-1042	Cap Hold Down	1
47	1-1089	Cap Hold Down Vinyl Cover	1
48	1-1073	Spring	1
51	1-2246	Gas Spring 11x15 & 6x6 & Cap	1
52	KIT 3-6907	Base, STX 6x6 & Cap	1
59	3-1011-252	Screw, Pan Phillips #6-32 x 3/4"	1
60	1-1939	Ball Stud 10mm	2
61	2-1006-20	Nut, Hex Nylok 5/16"-18	2
62	3-1011-182	Acorn Nut 10-32	5
63	1-1256	Rubber Foot	5
64	3-1011-164	Screw, Button Socket Head #10-32 x 1/2"	5
65	1-1085	Eyebolt	1
66	2-1006-56	Nut, Nylok #8-32	1

## STX Cap Heater



#	PART#	DESCRIPTION	QTY.
67	KIT 3-6908	Heater Arm Assembly, STX Cap	1
70	1-1049-5	PVC Spacer, 1/2" x 3.80"	1
71	2-1055-29	Steel Pin, 1/2" x 4.69"	1
72	1-1049-3	PVC Spacer, 1/2" x 5/8"	2
73	1-1945-1	Electromagnet	1
74	1-2104	Silicone Pad, 5/16" ID x 1-3/4" OD x 1/4" T	1
75	2-1006-46	Washer, 5/16" SS	1
76	3-1011-233	Screw, Shoulder 5/16" x 1/2" w/ 1/4"-20 Thread	1
77	1-2253	Heat Platen, Cap 120V/220V	1
79	1-1017-2	Pin, Clevis 3/8" x 1-5/8"	2
80	1-1043-2	Retaining Clip, Rue Ring	2
82	3-1011-87	Screw, SS Phillips #8-32 X 1/4"	1
83	1-1272-1	Temperature Probe	1
84	1-2076	Thermostat Disc	1
85	3-1011-98	Screw, SS Sheet Metal #4 X 1/4"	2
86	2-1663	Heat Platen Cover, Cap	1
87	1-1048-2	Conduit, STX MAXX Cap, 13"	1
88	1-1063	Washer, Plastic Finishing	2
89	3-1011-217	Screw, Flat Head Phillips #10-24 x 7/16"	2