



Maximum power, cutting-edge design

Fiery® proServer Premium is a turnkey digital front end for driving EFI™ printers, providing production tools, color management, workflow, and EFI FAST RIP and FAST DRIVE acceleration technologies. Its innovative and robust design is the most advanced available for superwide printing.

The combination of EFI Fiery server technology and workstation provide the most productive and comfortable workspace for all users.

Ergonomic operation

The Fiery server, and height-adjustable workstation adapts to the operator's height for less fatigue and higher productivity. The display adjusts vertically, and tilts for the best viewing angle.

High-efficiency work area

A proximity sensor changes the display from the Fiery screen saver to the active application when it identifies someone approaching. This allows operators to resume work right away.

The compact design reduces the footprint by over 20% but still offers a larger work area with a top tray to store commonly used items. Five USB ports are easy to access. A wireless mouse and keyboard save space and make the work area more flexible.

Quick and easy to install and maintain

The server computer glides out on a sliding shelf for easy installation and service access. Cables are neatly stored in the inside cabinet to keep them protected and out of the way.

Learn about Fiery proServer features and full production capabilities at fiery.efi.com/proServer.



Six-inch, adjustable-height table that accommodates 95% of the population.



Watch video:
fiery.efi.com/proServerPremiumvideo

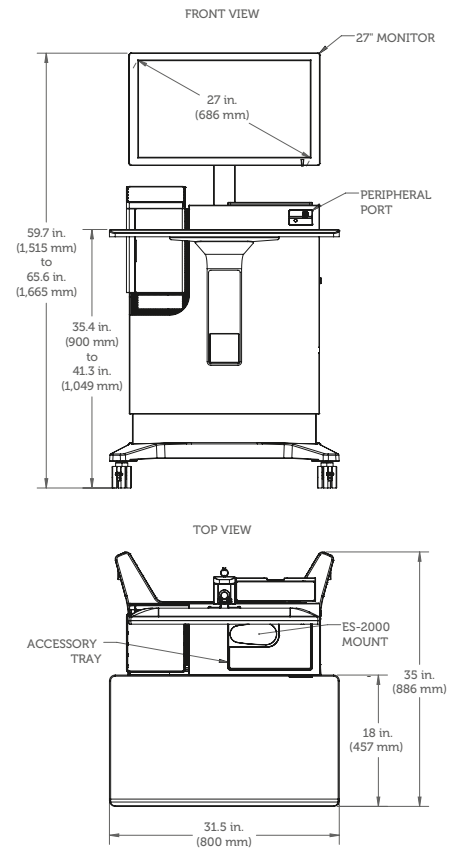
Fiery proServer Premium specifications and options

- Operating system
 - Microsoft® Windows® 10 IoT Enterprise LTSB 2019
- RAM
 - 32 GB
- Hard drive
 - 2 x 960 GB SSD, SATA III
- CPU
 - Intel Core i7 7700 CPU, 4 cores, 8 threads, 3.6 GHz
- GPU
 - NVIDIA 1060 GTX GPU, 6 GB RAM
- 10 Gbit dual-port network card
- Touch screen display
 - QuickTouch™ software
- Weight without packaging: 48 lb (21.77 kg)
- 5 USB 3.0 ports, 2 USB 2.0 ports (2 additional on the Fiery workstation)
- Fiery XF server software for Windows® including:
 - Spot Color support
 - FAST RIP
 - FAST DRIVE printer drivers
 - Color Profiler Option
 - Color Verifier Option
 - Cut Marks Option
 - EFI measurement device
 - Printer Option EFI
 - Printer Option M-XXL
 - Unlimited macOS® or Windows® installations of Fiery Command WorkStation® (up to 10 concurrent connections)
- 1-year Fiery proServer hardware and Fiery XF software warranty

Fiery Workstation specifications

- Display
 - 27 in. (68.8 cm), resolution 1920 x 1080
- Proximity sensor
- Wireless keyboard and mouse
 - One wireless USB adapter operates both keyboard and mouse
 - Wireless keyboard requires one AAA battery (included)
 - Wireless mouse requires one AA battery (included)
- 2 USB 3.0 ports
- Weight without server or packaging: 150.6 lbs (68.3 kg)
- Safety certifications
 - Tested in conjunction with Fiery server for mechanical stability
 - CE safety mark as described in CB scheme report
- Power cable
 - International power cable included with the Fiery server: 6 ft. (1.83 m) long
- Four total casters; front two are lockable
- International power strip
 - One C13 inlet and four C14 outlets, each 10 Amps, 250 Volts
 - Power: 100–240 V AC, 50/60 Hz
 - Certification: cTUVus (Canada and US), CCC (China), PSE (Japan), KC (Korea), BSMI (Taiwan), CE Mark (Europe)

Fiery proServer Premium dimensions



Watch video: fiery.efi.com/proServerPremiumvideo

EFI fuels success.

We develop breakthrough technologies for the manufacturing of signage, packaging, textiles, ceramic tiles, and personalized documents, with a wide range of printers, inks, digital front ends, and a comprehensive business and production workflow suite that transforms and streamlines the entire production process, increasing your competitiveness and boosting productivity. Visit www.efi.com or call 650-357-3500 for more information.



Nothing herein should be construed as a warranty in addition to the express warranty statement provided with EFI products and services.

The APPS logo, AutoCal, Auto-Count, Balance, BESTColor, BioVu, BioWare, ColorPASS, Colorproof, ColorWise, Command WorkStation, CopyNet, Cretachrom, Cretaprint, the Cretaprint logo, Cretaprinter, Cretaroller, Digital StoreFront, DocBuilder, DocBuilder Pro, DockNet, DocStream, DSFDesign Studio, Dynamic Wedge, EDOX, EFI, the EFI logo, Electronics For Imaging, Entrac, EPCount, EPPPhoto, EPRegister, EPStatus, Estimate, ExpressPay, FabriVU, Fast-4, Fiery, the Fiery logo, Fiery Driven, the Fiery Driven logo, Fiery JobFlow, Fiery JobMaster, Fiery Link, Fiery Navigator, Fiery Prints, the Fiery Prints logo, Fiery Spark, FreeForm, Hagen, Inkintensity, Inkware, LapNet, Logic, Metrix, MicroPress, MiniNet, Monarch, OneFlow, Pace, Pecas, Pecas Vision, PhotoXposure, PressVu, Printcafe, PrinterSite, PrintFlow, PrintMe, the PrintMe logo, PrintSmith, PrintSmith Site, PrintStream, Print to Win, Prograph, PSI, PSI Flexo, Radius, Remoteproof, RIPChips, RIP-While-Print, Screenproof, SendMe, Sincolor, Splash, Spot-On, TrackNet, UltraPress, UltraTex, UltraVu, UV Series 50, VisualCal, VUTEK, the VUTEK logo, and WebTools are trademarks of Electronics For Imaging, Inc. and/or its wholly owned subsidiaries in the U.S. and/or certain other countries.

All other terms and product names may be trademarks or registered trademarks of their respective owners, and are hereby acknowledged.