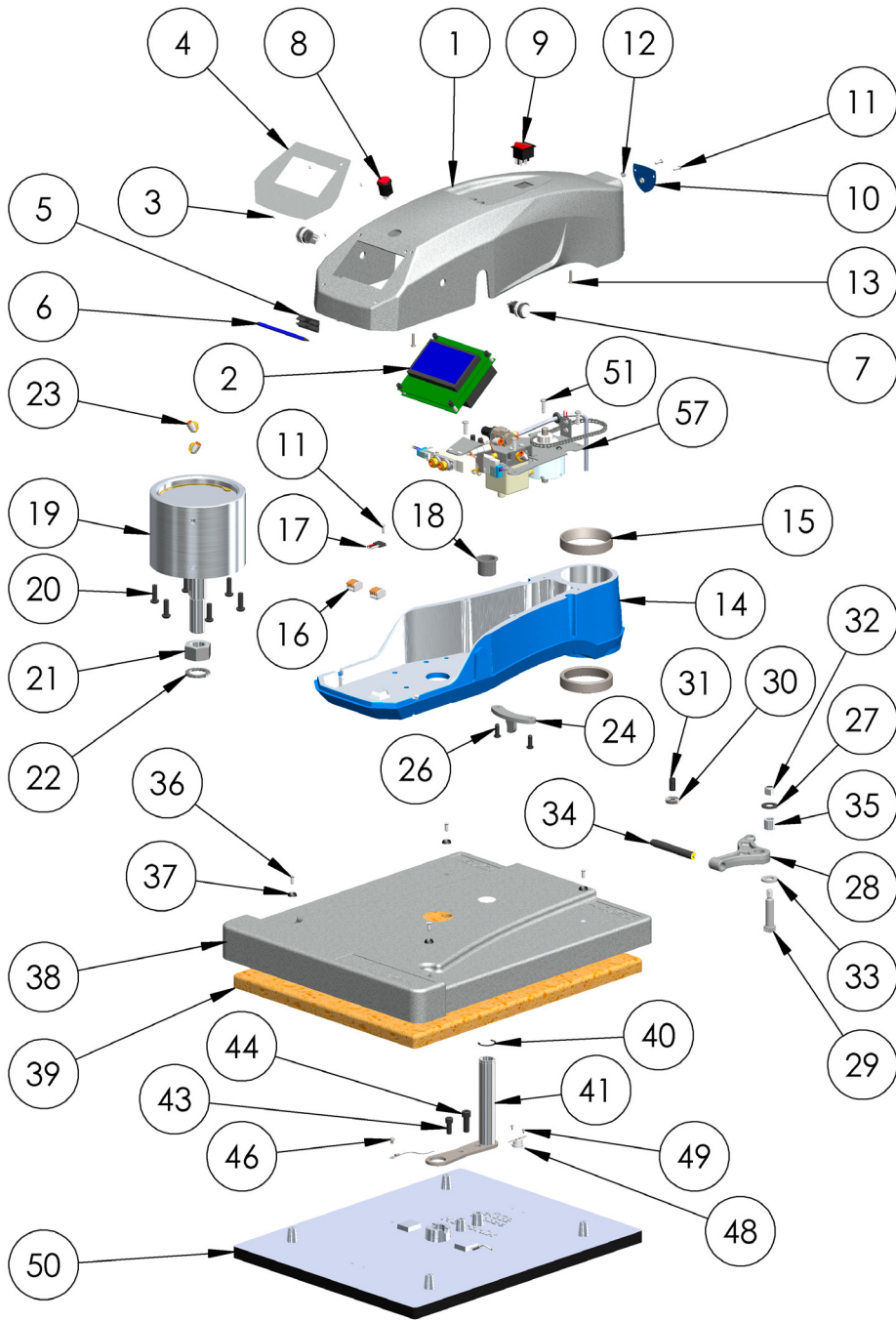


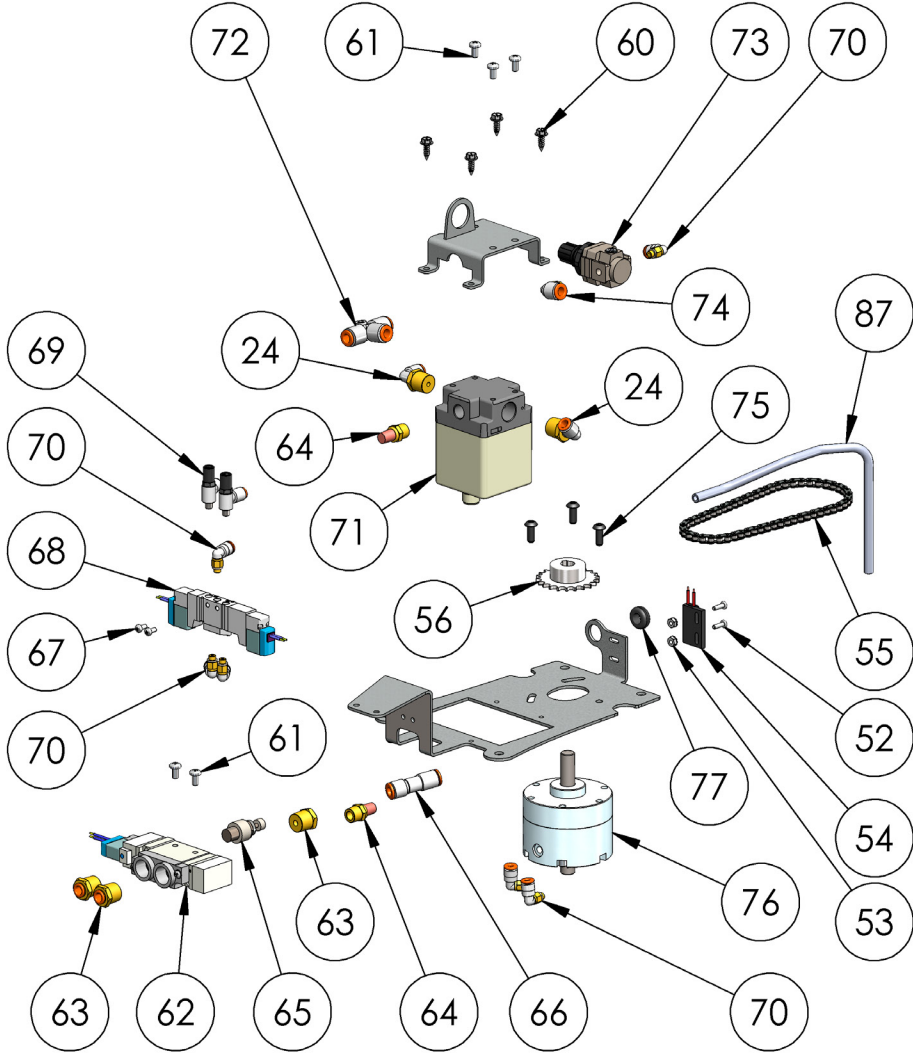
5.2 Parts List and Exploded View XRF Air Fusion



#	PART#	DESCRIPTION	QTY.
1	1-2197-1	Air Fusion Housing	1
2	1-2266	Fusion Touchscreen Controller	1
3		Screw, Machine Flat Head #4-40 x 3/16"	4
4	1-2198	Fusion Control Housing Overlay	1
5	1-2386	Touchscreen Stylus Holder	1
6	1-2385	Touchscreen Stylus	1
7	1-2319	Button, White, Print Switch	2
8	1-2270	Button, Red, Quick Release	1
9	1-2087	Power Switch	1
10	1-2423	Chevron Cover Plate	1
11	3-1011-19	Screw, Machine #6-32 x 1/2"	8
12	2-1006-50	Nut, #6-32 Hex with Lockwasher	3
13	3-1011-155	Screw, Machine #8-32 x 3/4"	3
14	3-1341	Air Fusion Upper Casting	1
15	1-2268	Bearing, Tapered Cup	2
16	1-2365	Lever Nut 3 Conductor	2
17	1-1059	TRIAC	1
18	1-2282	Bushing, Flange 1in	1
19	1-2264	Air Cylinder 6in	1
20	-	Screw, Button Socket Head 5/16"-18 x 1-1/8"	14
21	2-1006-96	Nut, Hex 1"-12	1
22	2-1006-94	Washer, 1in Nord-Lock	1
23	4-1015-12	Air Fitting, Elbow 1/4" NPT x 1/4" Tube	5
24	1-2302	Air Fusion Shock Stop Plate	1
26	-	Screw, Button Socket Head 1/4"-20 x 3/4"	2
27	1-1048-3	Washer, 1/2" Nylon	1
28	1-2308	Air Fusion Rocker Arm	1
29	3-1011-134	Screw, Shoulder 1/2" x 1-3/4" w/ 3/8"-16 Thread	1
30	1-2280	Bearing, 6900 Double Shielded	1
31	1-1018-1	Pin, Spring 3/8" D x 3/4" LG	1
32	1-2301	Nut, Nylok 5/16"-18	1
33	2-1006-72	Washer, 1/2" SAE	1
34	1-2300	Shock Absorber	1
35	1-2289	Bearing, 1/2" Needle	1
36	3-1011-217	Screw, Machine #10-24 x 1/2"	4
37	1-1063	Washer, Plastic Finishing	4
38	1-2263	Air Fusion Heater Cover	1
39	1-1020	Insulation, 16"x20"	1
40	1-2286	C-Clip	1
41	1-2290	Air Fusion Guide Tube	1
43	3-1011-100	Screw, Socket Head 5/16"-18 x 3/4"	1
44	3-1011-43	Screw, Socket Head 3/8"-16 x 1"	1
45	-	Grounding Lug	1
46	3-1011-87	Screw, SS Phillips #8-32 X 1/4"	1
47	1-1272-1	Temperature Probe	1
48	1-2076	Thermal Shutoff Switch	1
49	3-1011-98	Screw, SS Sheet Metal #4 X 1/4"	2
50	2-1002-3	Heat Platen 16 x 20 1800W Milled	1
51	3-1011-245	Screw, Socket Head Cap Low Profile 1/4-20 X 3/4"	8

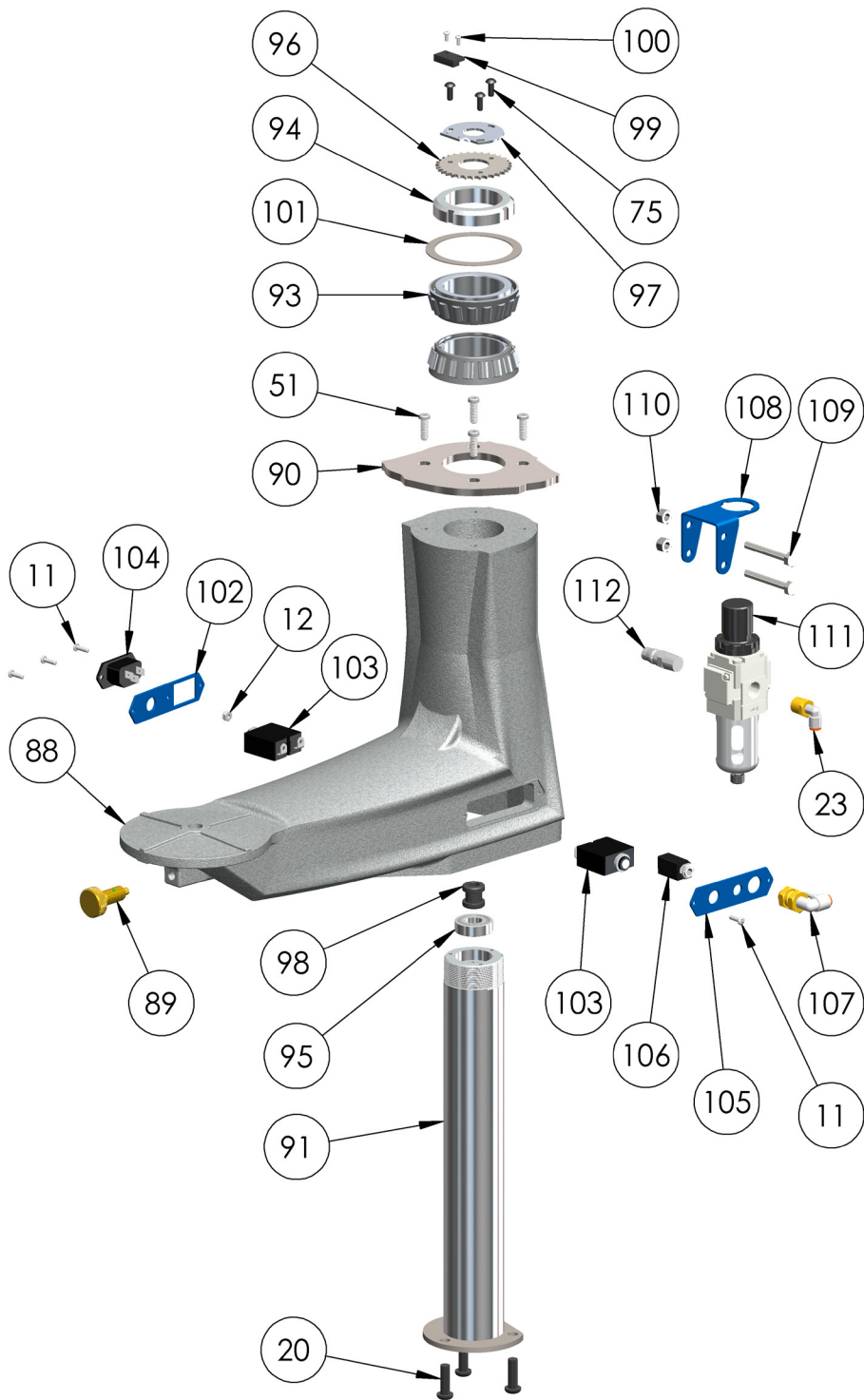
5.2 Parts List and Exploded View

XRF Air Fusion



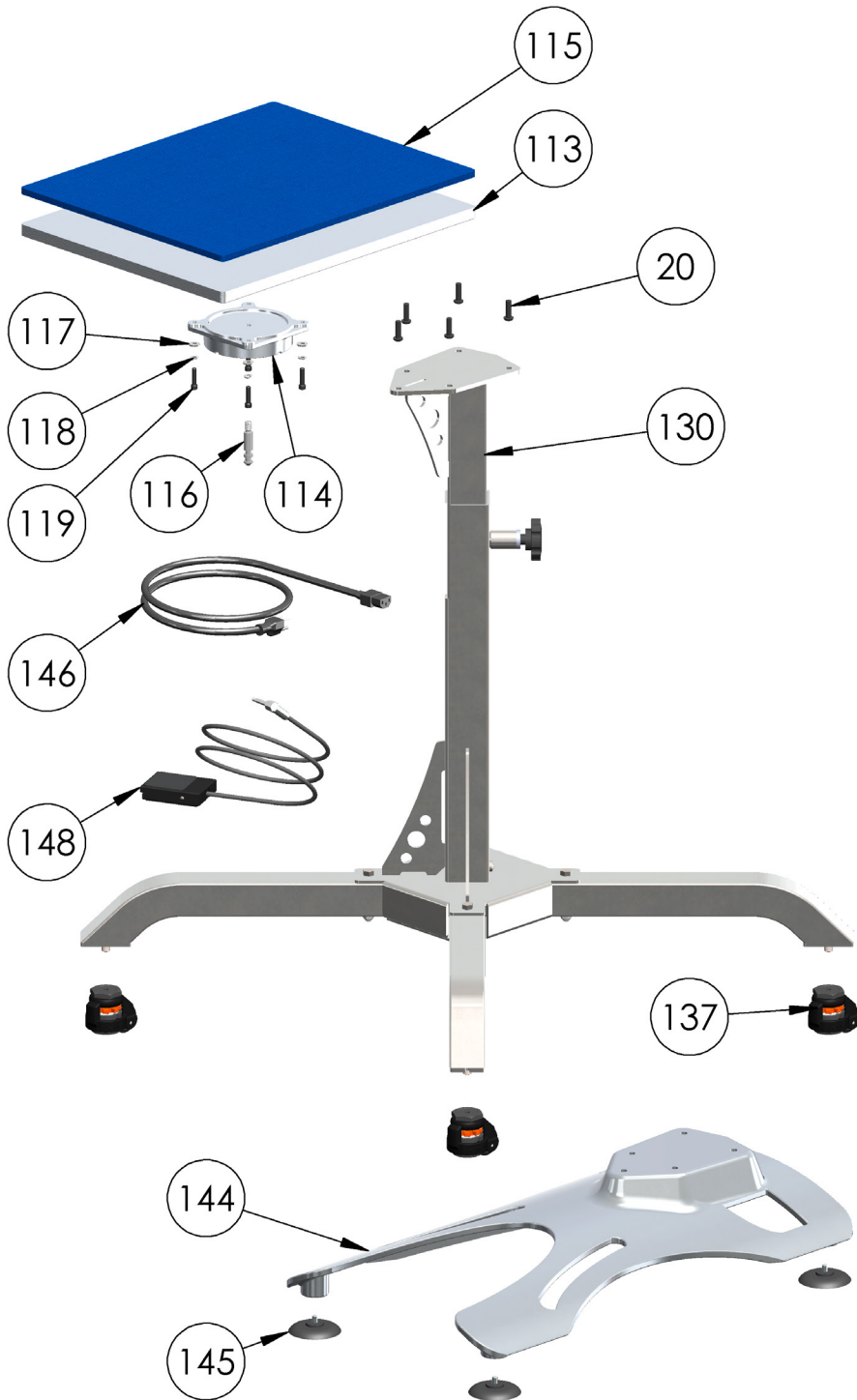
#	PART#	DESCRIPTION	QTY.
52	3-1011-22	Screw, Machine #4-40 x 3/8"	2
53	2-1006-51	Nut, #4-40 with Tooth Washer	2
54	1-1211	Proximity Sensor	1
55	1-2307	Chain 04B	1
56	1-2306	Sprocket, 22 Tooth 04B	1
57	1-2269	Pneumatic Package, Air Fusion	1
60	1-2421	Screw, Sheet Metal Hex #8 x 1/2"	4
61	1-2417	Screw, M4x0.7 x 8 Pan Phillips	5
62	1-2299	Print Valve	1
63	1-2427	Air Fitting, Straight Hex 1/4" NPT 1/4" Tube	3
64	1-2418	Air Fitting, Muffler, 1/8" NPT	2
65	1-2339	Speed Control Muffler	1
66	1-2419	Air Fitting, Check Valve, 1/4" Push-to-Connect	1
67	-	Screw, Pan Phillips M3x05 x 6mm	2
68	1-2298	Swing Valve	1
69	1-2428	Air Fitting, Elbow Restrictor #10-32 UNC 5/32" Tube	2
70	1-2350	Air Fitting, Elbow #10-32 UNF 5/32" Tube	6
71	1-2293	Electro-Pneumatic Regulator	1
72	1-2420	Air Fitting, Tee, 1/4" Push-to-Connect	1
73	1-2297	Pneumatic Regulator, Mini	1
74	1-2430	Air Fitting, Elbow #10-32 UNF 1/4" Tube	1
75	3-1011-164	Screw, Button Socket Head #10-32 x 1/2"	6
76	1-2296	Rotary Actuator	1
77	1-2429	Grommet, 5/16" ID 1/2" OD	1
87	1-1274	Air Tubing, 1/4" Polyurethane	1

5.2 Parts List and Exploded View XRF Air Fusion



#	PART#	DESCRIPTION	QTY.
88	3-1340	Air Fusion Bottom Casting	1
89	1-2288	Hand Retractable Spring Plunger, 1/2"-13	1
90	1-2284	Air Fusion Stop Plate	1
91	2-1670	Air Fusion Main Spindle	1
93	1-2267	Bearing, Tapered Roller Cone	2
94	2-1006-95	Spanner Nut 2in-18	1
95	1-2281	Bearing, 6002	1
96	1-2306-1	Sprocket, 32 Tooth 04B	1
97	-	Air Fusion Proximity Magnet Bracket	1
98	1-2285	Grommet, 3/8" ID 3/4" OD	1
99	1-2311	Proximity Actuator, Miniature	1
100	3-1011-15	Screw, Machine #4-40 x 1/4"	2
101	1-2287	Bearing Shield	1
102	-	Air Fusion IO Panel, Inlet and Breaker	1
103	1-1331	Circuit Breaker 20A (STX XF XRF)	2
104	1-1759	Power Inlet	1
105	-	Air Fusion IO Panel, Air Pedal and Breaker	1
106	Kit 1-2305	Foot Pedal Socket (Part of Foot Pedal Assembly)	1
107	-	Air Fitting, Elbow Bulkhead 1/4" Tube	1
108	-	Filter Regulator Bracket	1
109	3-1011-266	Screw, Hex Head 1/4"-20 x 2"	2
110	2-1006-7	Nut, Hex 1/4"-20 Nylok	2
111	1-1215	Air Filter & Regulator	1
112	1-1788	Air Fitting, 1/4" ARO Male Coupling 1/4" NPT	1

5.2 Parts List and Exploded View XRF Air Fusion



#	PART#	DESCRIPTION	QTY.
113	2-1029	Lower Platen, 16"x20"	1
114	3-1336	Lower Plate Adapter Plate	1
115	1-2136	Silicone Pad 16"x20" Blue	1
116	1-2215	Quick Release Pin	1
117	2-1006-25	Washer, Flat 1/4" SAE	4
118	2-1006-44	Washer, Split Lock 1/4"	4
119	3-1011-191	Screw, Socket Head Cap 1/4"-20 x 1"	4
121	1-2291	Pedestal Stand Assembly	1
137	1-2262	Self-Leveling Stem Caster	4
143	2-1006-10	Nut, Hex 3/8"-16 Nylok	4
144	1-2324	Air Fusion Tabletop Stand	1
145	1-2329	Foot, Rubber Suction Cup with Stud, 5/16"-18	4
146	2-1671	Power Cord 5FT 15A SJT 14/3 105C Black	1
148	Kit 1-2305	Foot Pedal Assembly	1