



OK-07 CP

3-IN-ONE Continuous Dye Sublimation Production

Pre-cut Textile Piece Cut Sheet Production Roll-to-Roll Transfer



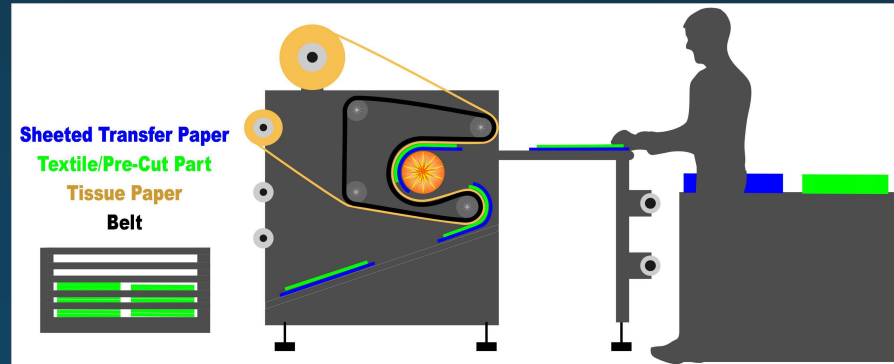
The OK-07 CP is available in 48" and 66" wide printable widths. The oil filled heated drum is 7" in diameter and has 240 degrees of wrap achieving faster production speeds than most comparable models.

This Practix dye sublimation rotary heat model for transferring on continuous or roll materials. This heat transfer machine is small and affordable offering the Practix high quality innovative engineered design using a heavy duty frame, automation, and best quality electrical and pneumatic components.

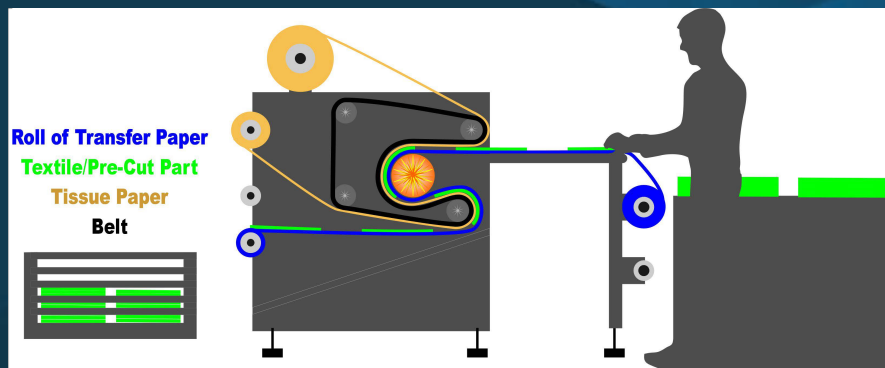


Sheet Transfer Paper - Pre-Cut Textile Piece

- Preprinted dye sublimation transfer sheet of paper is fed into the rotary press, face up
- Textile Pieces are placed on the transfer sheet face down.
- Tissue Paper is protecting the belt ensuring no dye-sublimation ink is sublimated onto the belt
- One rewind is used tissue paper



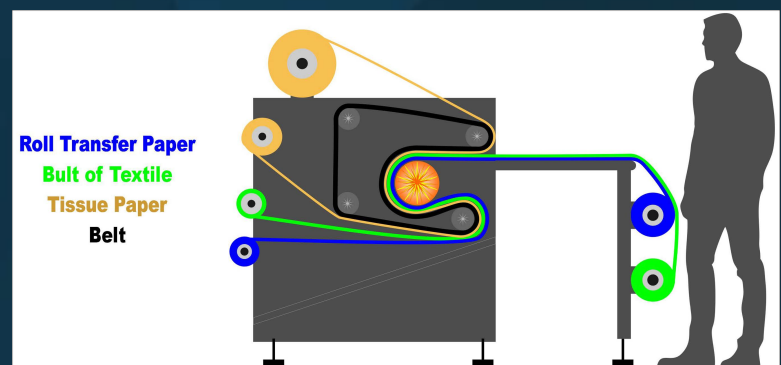
Roll Transfer Paper - Pre-Cut Textile Piece



- Roll of preprinted dye sublimation transfer paper is fed into the rotary press.
- Textile pieces are placed on the transfer paper face down
- Tissue paper is protecting the belt ensuring no dye-sublimation ink is sublimated onto the belt
- Two rewinds are used to take up the used transfer paper and used tissue paper

Roll Transfer Paper - Bolt of Textile

- Roll of preprinted dye sublimation transfer paper is fed into the rotary press face up
- Bolt of textile is fed into the rotary press face down
- Tissue paper is protecting the belt ensuring no dye-sublimation ink is sublimated onto the belt
- Three rewinds are used to take up the now printed bolt of textile, used transfer paper and used tissue paper



The **Practix OK 07 CP** is a 48" & 66" wide 7" diameter oil filled heated drum that offers 240 degrees or 21" of production contact. All of the Practix machines, including the OK-07 CP Rotary Heat Press, come backed by a one-year mechanical and electrical warranty. Plus, Practix machines are fully customizable to meet the size and color requirements of your facility. We service businesses worldwide. Contact us today and let us consult you on the right equipment for your production needs

This model offers three different options for continuous dye sublimation production.

- Sheet of pre-printed transfer paper with pre-cut textile pieces
- Roll of pre-printed transfer paper with pre-cut textile pieces
- Roll of pre-printed transfer paper with bolt of textile

FEATURES . . .

- Touch screen interface of all mechanical functions provides intuitive user control and savable settings ensures consistent production
- Digital speed controller
- 2 unwinds/2 rewinds with independent pneumatic adjusting for more tension or brake
- 3" chucks for all unwind and rewind shafts
- Reversing capability
- Safety systems (emergency stops and hand protection at entry)
- Automatic cool down

. . . Upgrade Options

- Mesh Output Conveyor
- Paper Separating
- Powered Unwind Stretchy
- Fabrics Surface Rewind
- 70" Extended Production Table
- Personalized/Custom Paint

SPECIFICATIONS . . .

| | 48" | 66" |
|--------------------|------------------|------------------|
| Belt Width | 48" | 66" |
| Drum Diameter | 7" | 7" |
| Electrical | 9kW 39A 240V 1P | 12W 52A 240V 1P |
| Electrical Upgrade | 3P \$750 | 3P \$750 |
| Weight | 2000 lb | 2400 lb |
| Air Supply | 100 PSI (.75CFM) | 100 PSI (.75CFM) |
| Dimensions (WxDxH) | 64x30x40 | 78x30x40 |